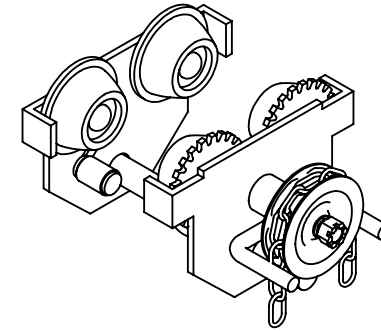
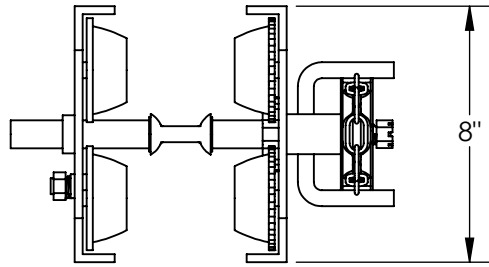


GEARED EYE MANUAL TROLLEY - E-MT-1-C

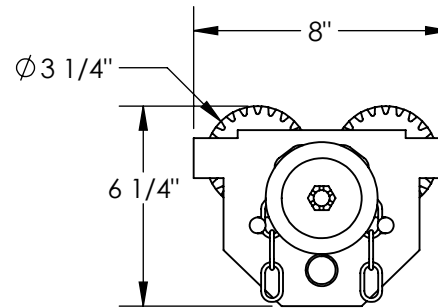
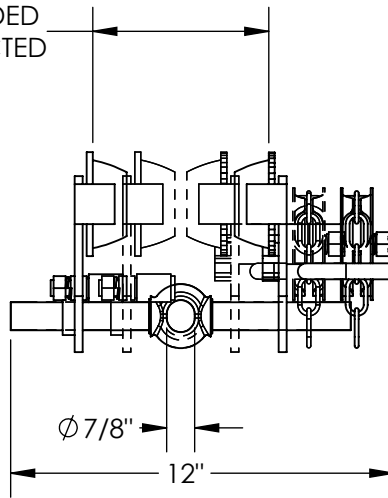
APPROX WEIGHT: 17.12 lbs.
DOES NOT INCLUDE WEIGHT OF POWER OR PACKAGING!!!

*** ANY ADDITIONS, DELETIONS, OR OMISSIONS MUST BE CORRECTED ON THIS DRAWING AS THIS DRAWING WILL BE CONSIDERED ALL INCLUSIVE ***

ALL GRAPHICS PROVIDED ARE FOR REFERENCE ONLY. IF CERTAIN DIMENSIONS ARE CRITICAL PLEASE VERIFY THOSE DIMENSIONS WITH YOUR SALESPERSON



5 1/2" EXTENDED
2 1/2" RETRACTED



DIMENSION TOLERANCE $\pm 1/4"$

STANDARD FEATURES

MODEL NUMBER IS E-MT-1-C
EYE MANUAL TROLLEY
GEARED LOW PROFILE
HEADROOM: 4 1/2"
OVERALL WIDTH IS: 12"
OVERALL LENGTH IS: 8"
OVERALL HEIGHT IS: 6 1/4"
MAX CAPACITY IS: 1,000 LBS.
FITS BEAM FLANGE OF 2 1/2" TO 5 1/2"
STEEL CONSTRUCTION WITH PAINTED FINISH
TROLLEY WIDTH IS ADJUSTABLE
BY ROTATING CENTER ROD

NOTE:

CAN BE USED ON S, H, W, & M
TYPE I-BEAMS

SPECIAL FEATURES

NONE

| | | |
|---|--|--|
| APPROVAL | I, THE UNDERSIGNED, AGREE THAT THE PRODUCT AS REPRESENTED SATISFIES DESIGN AND DIMENSION REQUIREMENTS. I ALSO ACKNOWLEDGE MY DUTY TO CONFIRM PRODUCT AND INSTALLATION COMPLIANCE WITH ALL APPLICABLE FEDERAL, STATE AND LOCAL REGULATIONS AND STANDARDS. | |
| | ANY MODIFIED UNITS ARE NON-RETURNABLE | |
| | [] As drawn [] As marked | |
| | Signed: _____ Date: _____ | |
| Printed Name: _____ | | |
| LEAD TIME WILL START UPON RECEIPT OF SIGNED APPROVAL DRAWING | | |

| | |
|---|--|
| FOR INTERNAL USE ONLY PROJECT SIGN OFF | |
| SALES | |
| ENG. | |
| FAB. | |
| POWER | |

| | | |
|----------------------|---------------|------------|
| DISTRIBUTOR'S NAME: | | P.O.# |
| VESTIL MANUFACTURING | | X |
| DRAWN BY: WHR | DATE: 5/31/12 | W.O.# |
| REFERENCE: X | SCALE: 1:6 | X |
| QUOTED LEAD TIME: X | QUOTE # | FILE NAME: |
| | X | 30-007-258 |